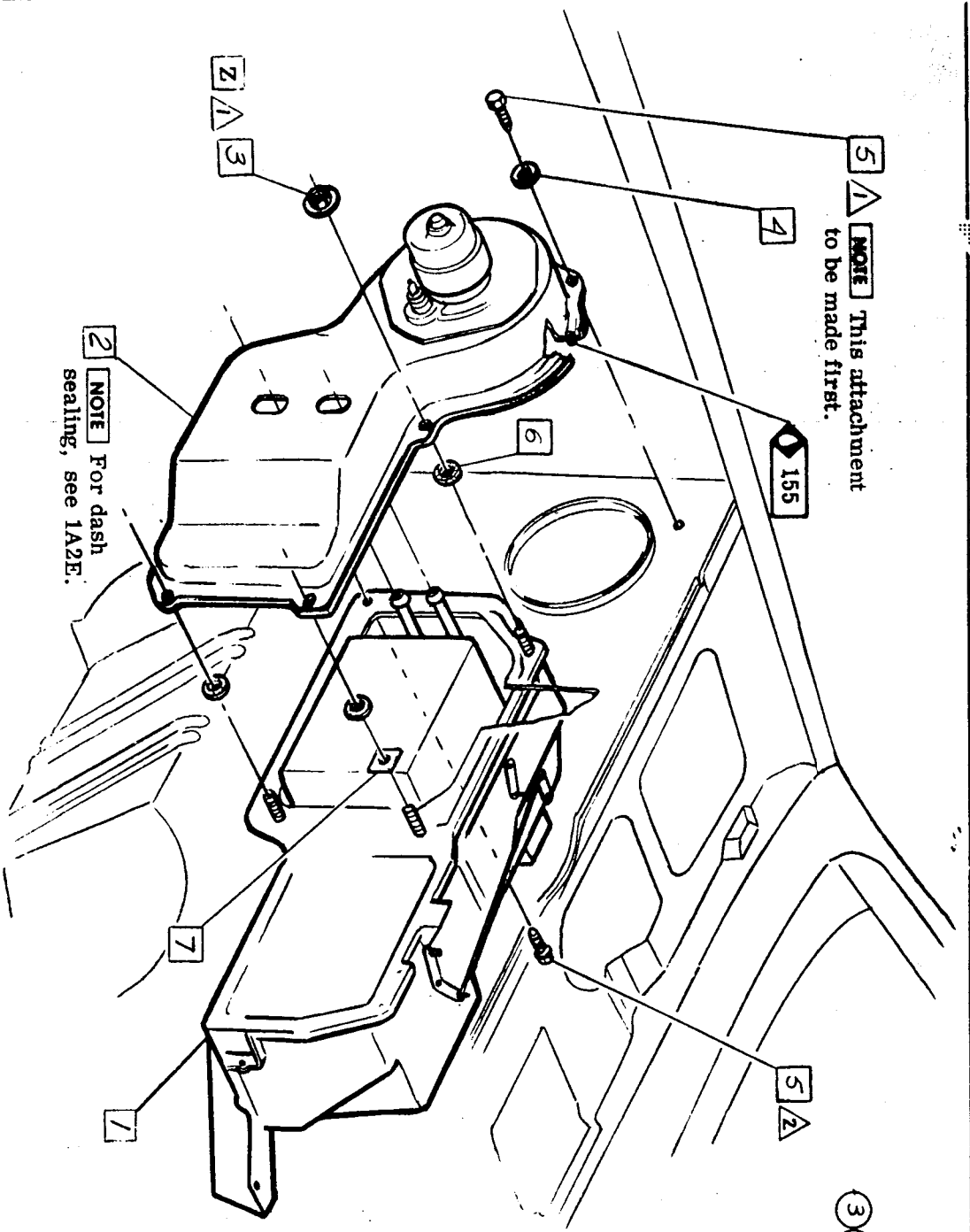




General Motors Corporation
CHEVROLET MOTOR DIVISION

PRODUCT DESCRIPTION MANUAL

ITEM REFERENCE PROCESS MATERIAL TORQUE PART OF OR EXISTING



- 3031552 1 HEATER & DEFR ASM
- 3042019 2 BLOWER & INL ASM
- 3866846 3 NUT ASM
- 9419234 4 P. WASHER
- 9433568 5 SCREW
- 3905569 6 WASHER-SEALING
- 1495028 7 NUT 1HM+1HR00
- 9985059 155 SEALER .03 GAL.

NOTE For dash sealing, see 1A2E.

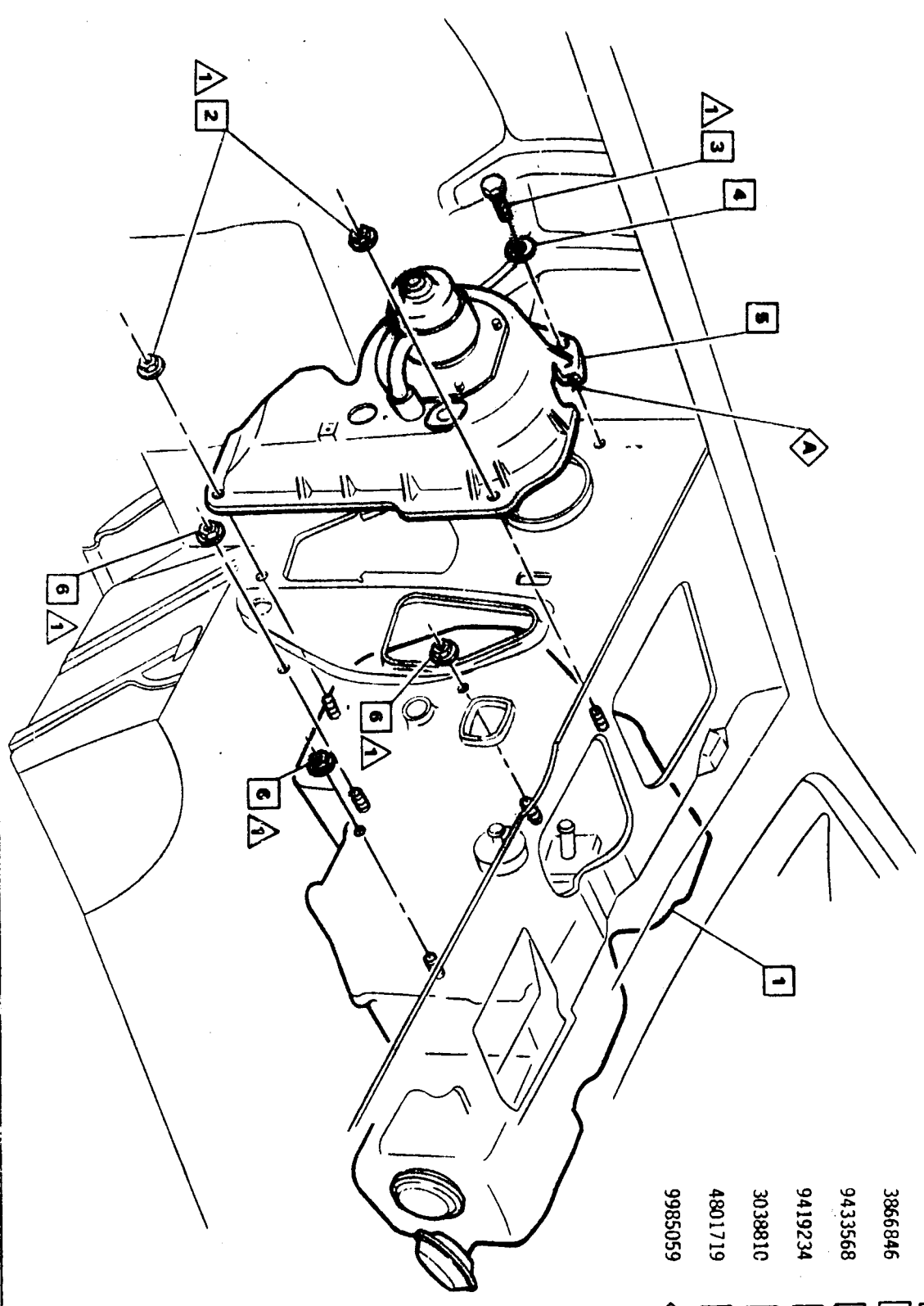
NOTE Tighten Nuts **3** to the specified installation torque. The residual torque on nuts must register a minimum torque of 1.2 N·m after 24 hours.

DYNAMIC (Installation) - N·m	HAND (Inspection) - N·m	DATE	SYM	REVISION	AUTH	DR	CK	DATE	DR	DATE	DR	DATE	DR	DATE	DR	DATE	DR	DATE	DR
2.2 - 4.0		3/28/78	1	MODELS WERE 1HA00 & V6/V8 ENG.		WS	WT	2-1-78	DR	2-1-78	DR	2-1-78	DR	2-1-78	DR	2-1-78	DR	2-1-78	DR
1.8 - 2.4		4/17/78	2	WAS 3031553 BLOWER		WS	WS	12/20/77	DR	12/20/77	DR	12/20/77	DR	12/20/77	DR	12/20/77	DR	12/20/77	DR
		4/21/78	3	WAS 3402019 BLOWER		WS	WS	C/D 1A2H-2	DR	C/D 1A2H-2	DR	C/D 1A2H-2	DR	C/D 1A2H-2	DR	C/D 1A2H-2	DR	C/D 1A2H-2	DR

1979 CHEV. "H" 14000313

HEATER & DEFROSTER ASM
1HA00 All eng exc L56

UPC **1A2H** SHEET **2**



- | | | |
|---------|----------------------------|---------------------------------------|
| 3041187 | <input type="checkbox"/> 1 | HEATER & EVAP ASM
1HM07-27 & 1HR00 |
| 3041188 | <input type="checkbox"/> 1 | 1HM15 |
| 3866846 | <input type="checkbox"/> 2 | NUT ASM |
| 9433568 | <input type="checkbox"/> 3 | SCREW |
| 9419234 | <input type="checkbox"/> 4 | P. WASHER |
| 3038810 | <input type="checkbox"/> 5 | BLOWER & INLET ASM |
| 4801719 | <input type="checkbox"/> 6 | NUT |
| 9985059 | <input type="checkbox"/> A | SEALER .015 GAL |

DYNAMIC (Installation) - P. m.	HARD (Inspection) - M. m.	DATE	DR.	CHK.	DATE	DR.	CHK.	TITLE
	2.0 - 4.0	3-4-78	W. SLUYTER		3-4-78	W. SLUYTER		HEATER & EVAPORATOR ASM BLOWER & INLET ASM 1HADD & C60
REVISION		AUTH		DR		CHK		1979 CHEV. "H" 14000313
3 REDRAWN & REDESIGNED (RMC)		83856/MBR		DR		DR		
APPR		APPR		APPR		APPR		
APPR		APPR		APPR		APPR		
14681-S		1-08840-S		UK		1A2H		3 SHEET
2-20-78		010 14211-7		UK		1A2H		